



Motic DM-143-FBGG is a stereo zoom microscope with a built in high resolution CCD camera. The high quality optics provides sharp and erect images with excellent resolution. Special features include:-

Diopter adjustment on both eyetubes.  
Interpupillary distance adjustment  
between 54-76mm

White balance switch  
to help show the real  
background color of the slide  
to the CCD, regardless of the  
color temperature

Trinocular phototube 45°  
inclined. The vertical tube  
has a built in 1/3" CCD camera

A continuous zoom range of 1X  
to 4X with no refocussing through  
the entire magnification range

Wide Field Highpoint  
Eyepiece WF10x/20mm

Focus knobs afford  
considerable comfort  
and flexibility of use

Working distance 80mm  
(without Auxiliary  
Objective)

Rugged die cast metal  
construction

**DM-143-FBGG**

Strong incident (12V/15W) and  
transmitted (12V/10W) halogen  
illumination which can be used  
independently or simultaneously  
with intensity control.

Full range of accessories available for different applications.

**DM143-FBGG Digital Microscope**

VWR Cat. No.	Motic No.	Description
	DX49.056.F01	Trinocular head with third eyepiece tube built-in 1/3" CCD camera Eyepiece: WF10x eyepiece (paired) FN20 Zoom range 1:4 (magnification 10x-40x with WF10x eyepiece) Built in top 12V/15W and bottom 12V/10W halogen illumination with intensity control



ACCESSORIES

Motic No.	<b>Eyepieces</b>
SG02. T0601	Widefield Eyepiece WF5x / 22mm
SG02. T0201	Widefield Eyepiece WF10x / 20mm
SG02. T0301	Widefield Eyepiece WF15x / 12mm
SG02. T0401	Widefield Eyepiece WF20x / 11mm
SG02. T0208	<b>Micrometer Eyepieces</b> Micrometer Eyepiece WF10x / 20mm with Built in Micrometer, 100 Division in 10mm



Motic No.	<b>Additional Objectives</b>
SG01. T01201	Objective 0.5x
SG01. T02201	Objective 0.75x
SG01. T11201	Objective 1.5x



Motic No.	<b>Polarizing and Darkfield Attachment</b>
SP09. 0001K	Darkfield Condenser with iris diaphragm
SP08. 0013K	Polarizing equipment B310K
SW01. 9936	Jewellery clamp



Capture Card for DMB3-223ASC and DM143-FBGG

**New Capture Card - Moticap L3**  
With this optional accessory, you can have a 640 x 480 real time 25-30-frame per second display (depending on the computer system) on screen, which can provide the best live image of the CCD camera in our Motic Images 2000 1.1 Software.

Motic No.	<b>Spare parts</b>
SW02. 2356	Black / white stage plate diameter 95mm
SG06. 0804	Frosted glass stage plate diameter 95mm
SG06. 0715	Blue filter
SBI1. 0005	Dust cover
SB15. 0003	Eyecups
SE06. 0209	Spare halogen bulb 12V/15W (top light)
SE06. 0108	Spare halogen bulb 12V/10W (bottom light)
	Capture card
	- Moticap L3 with upgrade Motic 1.1 version software

## OPTICAL DATA

### Optical data for DM-143-FBGG

EYEPIECE	OBJECTIVE							
	1X WORKING DISTANCE 80mm		ADDITIONAL 0.5X WORKING DISTANCE 133mm		ADDITIONAL 0.75X WORKING DISTANCE 89mm		ADDITIONAL 1.5X WORKING DISTANCE 33mm	
	MAGNIFICATION	FIELD DIAMETER	MAGNIFICATION	FIELD DIAMETER	MAGNIFICATION	FIELD DIAMETER	MAGNIFICATION	FIELD DIAMETER
5X22	5X	22mm	2.5X	44mm	3.75X	29.3mm	7.5X	14.7mm
	10X	11	5X	22	7.5X	14.7	15X	7.3
	15X	7.3	7.5X	14.7	11.3X	9.7	22.5X	4.9
	20X	5.5	10X	11	15X	7.3	30X	3.7
10X20	10X	20	5X	40	7.5X	26.7	15X	13.3
	20X	10	10X	20	15X	13.3	30X	6.7
	30X	6.7	15X	13.4	22.5X	8.9	45X	4.5
	40X	5	20X	10	30X	6.7	60X	3.3
15X13	15X	13	7.5X	26	11.3X	17.3	22.5X	8.7
	30X	6.5	15X	13	22.5X	8.7	45X	4.3
	45X	4.3	22.5X	8.6	33.8X	5.7	67.5X	2.9
	60X	3.3	30X	6.5	45X	4.3	90X	2.2
20X13	20X	13	10X	26	15X	17.3	30X	8.7
	40X	6.5	20X	13	30X	8.7	60X	4.3
	60X	4.3	30X	8.6	45X	5.7	90X	2.9
	80X	3.3	40X	6.5	60X	4.3	120X	2.2

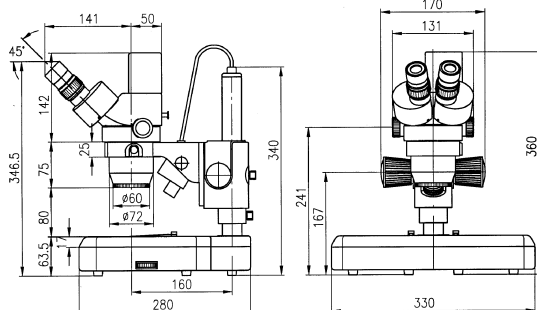
### Optical data for DMB3-223ASC

OBJECTIVE	Magnification	N.A.
Achromatic Super Contrast	ASC4X	0.1
	ASC10X	0.25
	ASC40X	0.65
	ASC100X	1.25

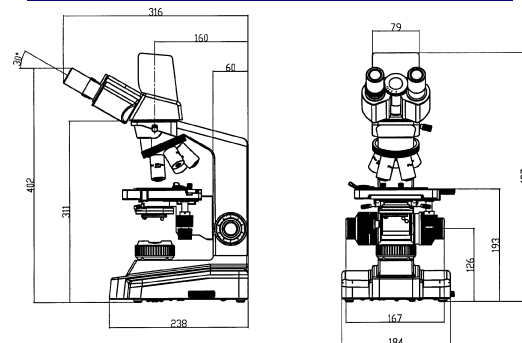
OBJECTIVE	Magnification	N.A.
Plan Objectives	PL4X	0.1
	PL10X	0.25
	PL20X	0.45
	PL40X	0.65
	PL60X	0.85
	PL100X	1.25

EYEPIECE	H5x	WF10x	WF10x	WF15x	WF20x
Field Number	14.5mm	18mm	20mm	12mm	11mm

Dimensions for DM-143-FBGG



Dimensions for DMB3-223ASC



**Design Change:** The manufacturer reserves the right to make changes in instrument design in accordance with scientific and mechanical progress, without notice and without obligation. **Electrical:** All electrical parts are arranged according to CE, VDE, UL and CSA requirements.